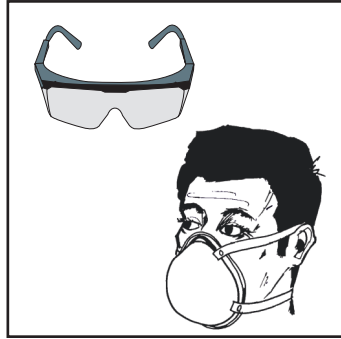
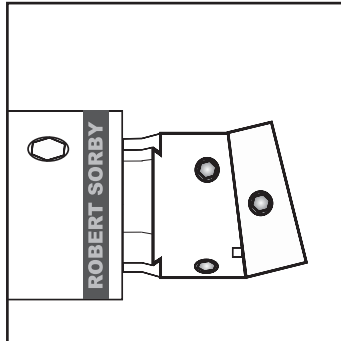


The Robert Sorby Wobble Chuck is a unique and exciting addition to the Patriot Chuck range. The base of the wobble chuck fits precisely and securely into the dovetail of the Patriot Chuck 2" jaws.

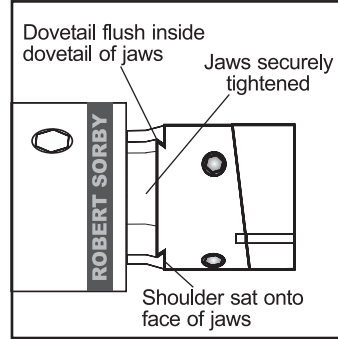
With the bottom section held securely in the chuck jaws the top section can be rotated to create the 'wobble'. This allows the woodturner to experiment quickly and easily with off-centre turning and provides opportunity to create a multitude of creative projects. Overleaf is a step guide to making one such project: An ornamental spoon.



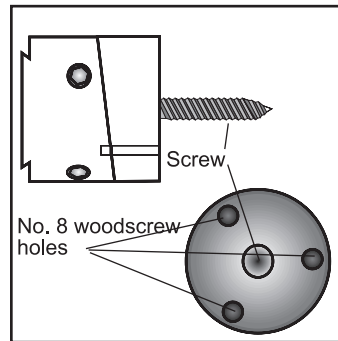
Always use eye protection and a form of dust mask as well as an air cleaner and dust extractor when doing any form of woodworking.



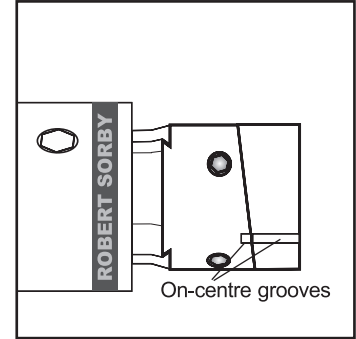
When the grooves are not in-line the chuck is off-centre and the further apart they are, the more wobble or off-set will be induced.



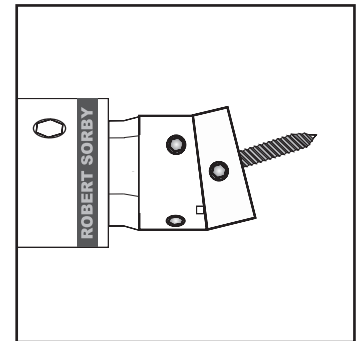
Always ensure that all faces are clean prior to fitting. Check the dovetail of the Wobble Chuck is flush inside the dovetail of the jaws and the shoulder is seated onto the face of the jaws. Then close the jaws tightly to secure the Wobble Chuck in place.



There are two ways of securing a workpiece with the Wobble Chuck. Firstly there is a screw which is ideal for quick and easy fixing. Alternatively there are three holes which enable fixing by No.8 woodscrews for larger projects.

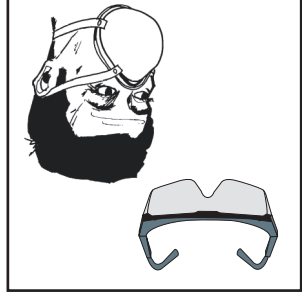


When the grooves of the Wobble Chuck are in-line the chuck is on-centre. To adjust the position of the grooves slacken the two screws in the bottom section turn the top section to the required position and then re-tighten the screws.



When using the screw ensure the grub screw is tightened into position. If using No.8 woodscrews without the screw, always remove the grub screw to prevent loss.

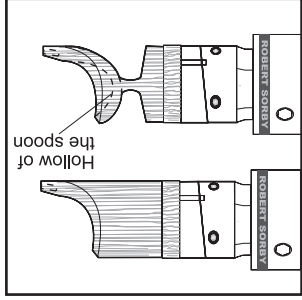
The following is a step-by-step guide to making an ornamental spoon using the Robert Sorby Wobble Chuck.



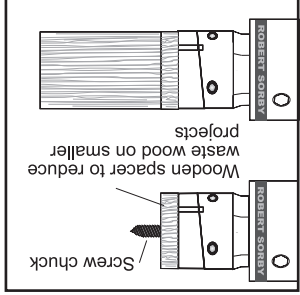
Always use eye protection and a form of dust mask as well as an air cleaner or dust extractor when doing any form of woodworking.

insight to the simplicity of how it works. It also highlights the large number of different off-centre and eccentric projects that can be made using this unique and popular chuck.

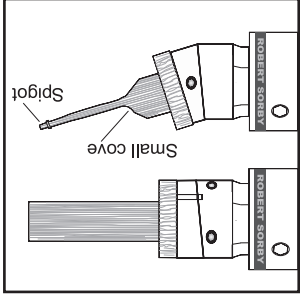
First fit the wobble chuck into the 2" jaws in your chuck following the instructions provided overleaf. Please Note: Make sure you always read the user instructions prior to using the Wobble Chuck and always use tailstock support where possible.



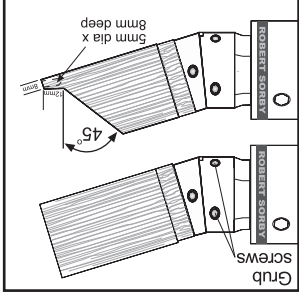
Return the top section so that the in-line grooves match. Hollow out the inside to create the scoop of the spoon. Now turn the back shape of the spoon and part off to finish by hand.



Screw a 2"x5" piece of wood ensuring it is firmly held in place. Now carefully move the top section to the maximum off-set and secure in place with the grub screws.



Screw a 25mm x 125mm piece of wood onto the Wobble chuck ensuring it is securely held. Turn it round then off-set the top section of the Wobble chuck to maximum and secure with the screws. Turn the spoon handle with a spigot to suit the 5mm hole and a small cover leading off the bottom.



Turn a spigot approximately 5/16" diameter and 1/2" long and drill a 1/4" hole 5/16" deep in the end. Also turn a section at 45 degrees from the base of the spigot.



Return the top section so the grooves are in-line. Now turn the bottom shape of the ornate section of the handle and part off to finish by hand. We now have a finished ornate spoon.

For further information on these or any other Robert Sorby products please contact us at:

Robert Sorby Ltd, Athol Road, Sheffield, S8 0PA, England. Tel: +44(0) 114 225 0700 Fax: +44(0) 114 225 0710 Email: sales@robert-sorby.co.uk Website: www.robert-sorby.co.uk
Registered in England: Company No 3464018, Registered office: Atlas Way, Atlas North, Sheffield, S4 7QQ VAT No GB 172 4019 84