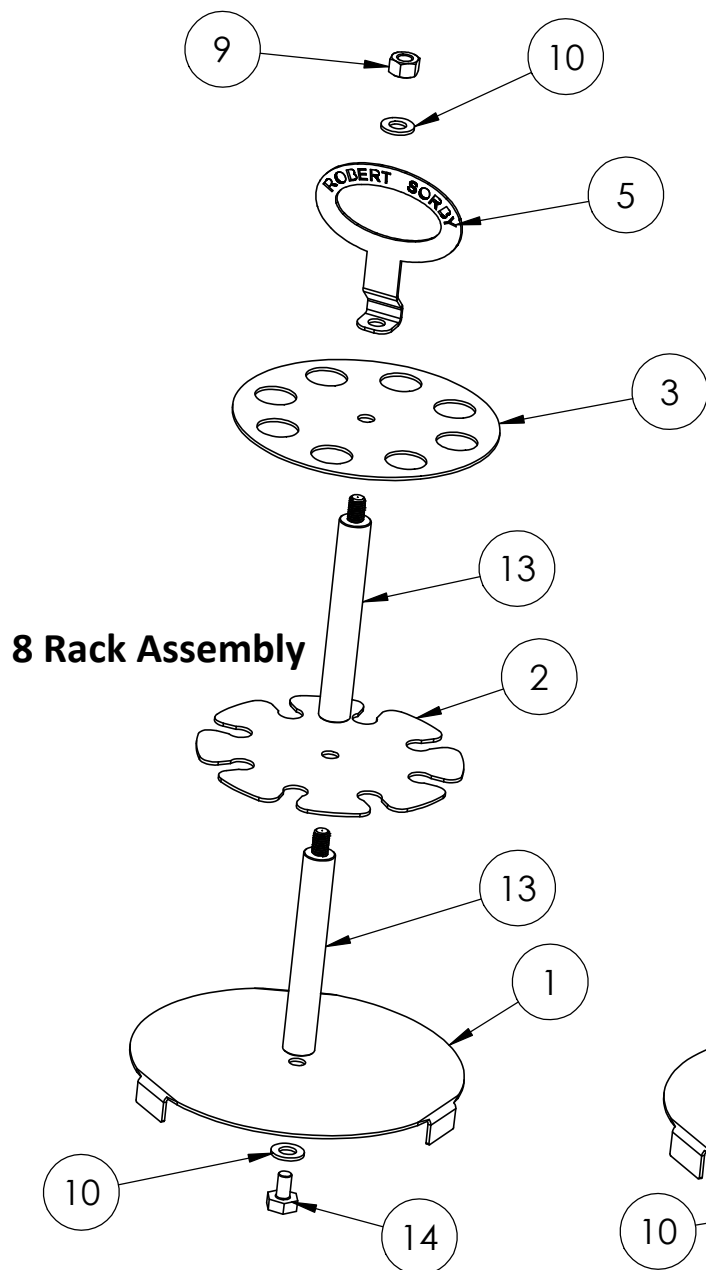


ITEM NO.	DESCRIPTION	QTY.
1	Rack 8 base	1
2	Rack 8 Mid ring	1
3	Rack 8 Top ring	1
5	Carousel handle	1
9	M10 Nut	1
10	M10 Washer	2
13	Bar A & B Rack 8 - 130 mm long	2
14	M10 bolt x 15 mm long	1

8 Rack Assembly List



ITEM NO.	DESCRIPTION	QTY.
4	Rack 6 base	1
5	Carousel handle	1
6	Bar A Rack 6 at 240 mm long	1
7	Rack 6 Mid ring	1
8	Rack 6 Top ring	1
9	M10 Nut	1
10	M10 Washer	2
11	Bar B Rack 6 at 190 mm long	1
12	Bar C Rack 6 at 50 mm long	1
14	M10 bolt x 15 mm long	1

6 Rack Assembly List

