

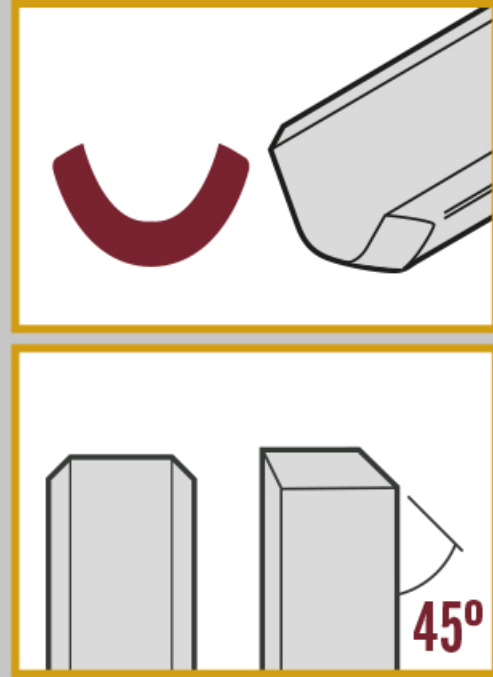
Robert Sorby

PROUDLY MADE IN SHEFFIELD, ENGLAND 

A Guide to Robert Sorby Turning Tool Set (67HS)

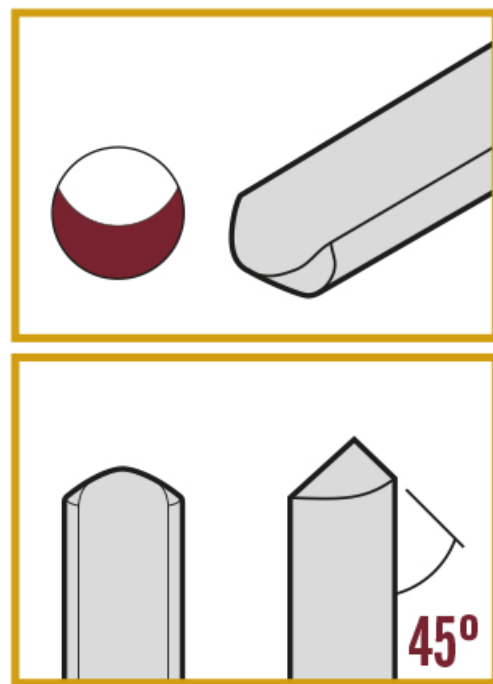
Spindle Roughing Gouge

Also known simply as a roughing gouge. Used for the initial turning of uneven or square spindle stock to round. Only to be used on spindle grain projects. Code: 843H



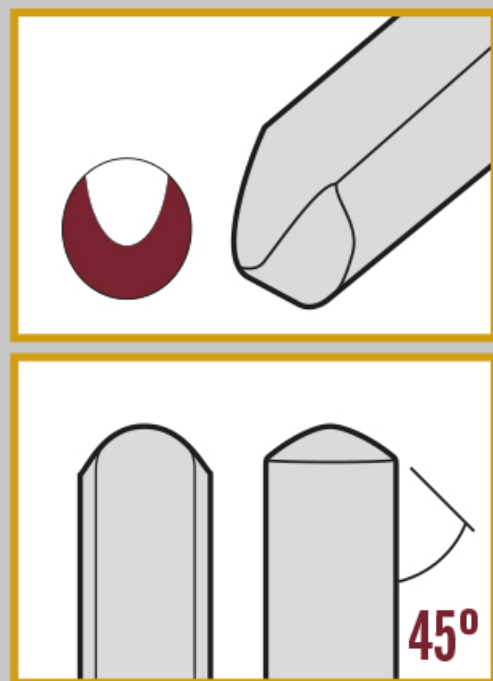
Spindle Gouge

Spindle gouges are used to create coves, beads and other profiles on a variety of spindle projects. Code: 840H



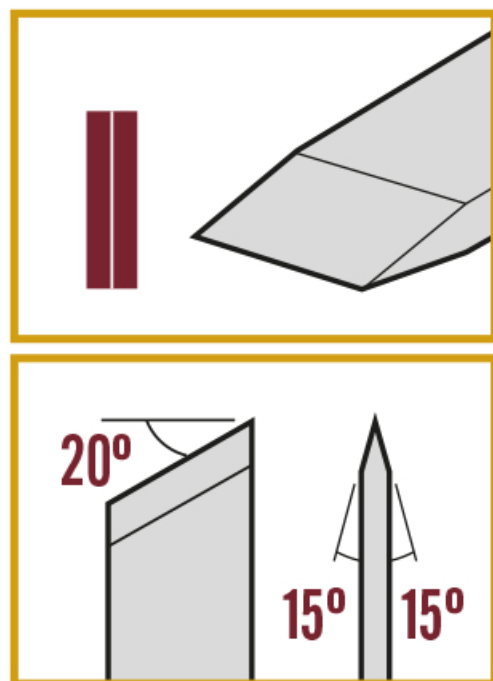
Bowl Gouge

The deep flute allows for quick and easy removal of waste material and shaping inside and outside of any bowl grain project. Code: 842H



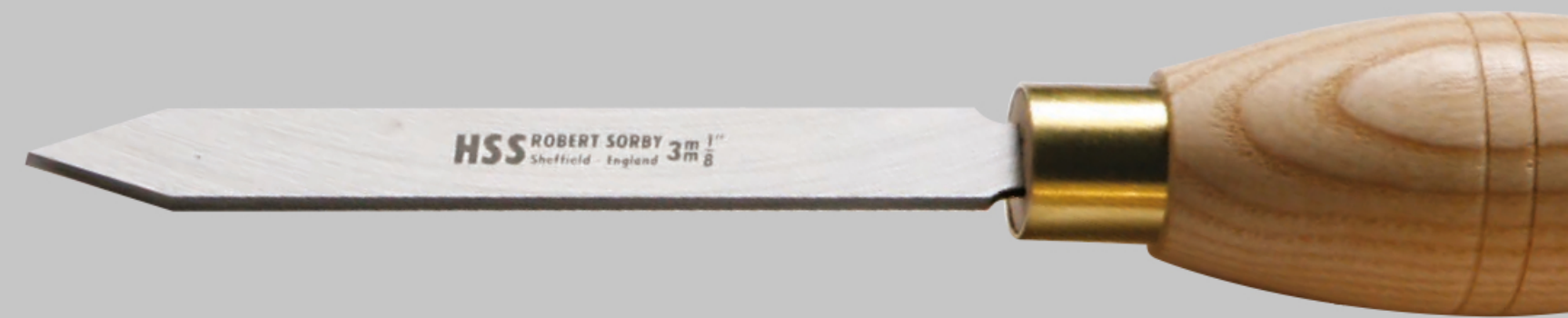
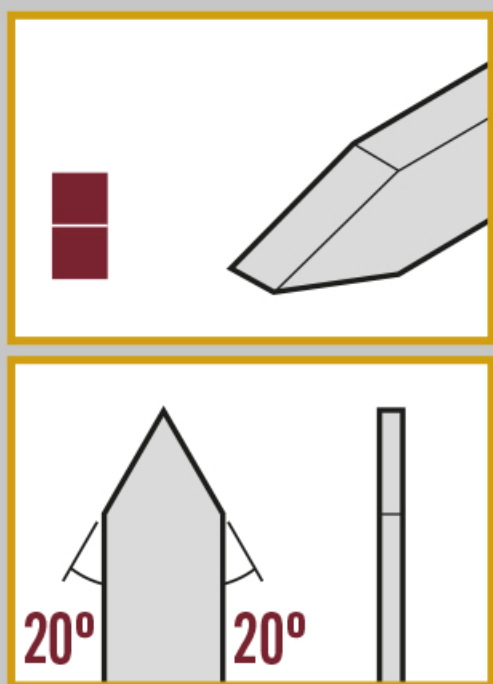
Standard Skew Chisel

The rectangular section gives weight and control when turning spindle grain projects. Code: 810H



Parting Tool

Used to part off the finished project from the waste wood. It can also be used for detailing. Code: 830H



Round Nose Scraper

Designed to refine the surface finish on curved surfaces such as the inside of a bowl. Code: 820H

